



Mertec
www.mertec.net



Leaders In Slurry & Bulk Material Handling, Process Instrument & Controls

TECHNEQUIP™

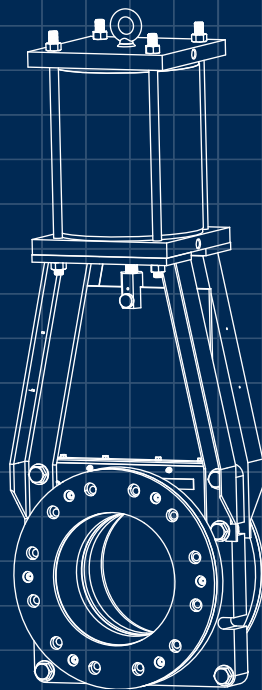
Knife Gate Valves



WE DISCOVER POTENTIAL

Reliable performance for the most demanding abrasive slurries

Unparalleled performance and service life.
Whoever said you can't have it all never met our premium valves.



Key benefits

■
Enhanced safety
features on
every model

■
Proven quality
materials and
reliability

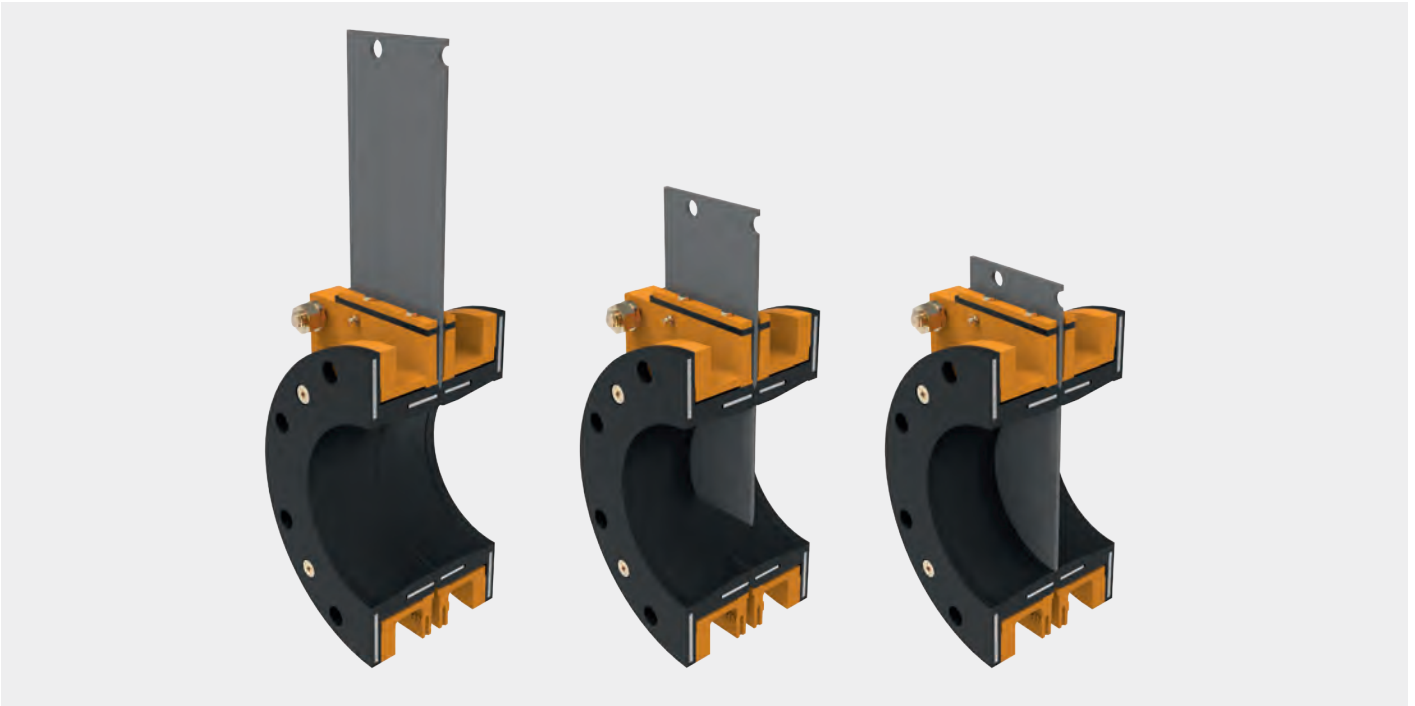
■
Decreased down-
time and faster
maintenance

■
Interchangeable
components
reduce your inventory

■
Premium materials
are supplied
standard on all valves

Design advantages

Gate is fully out of pipeline when open, minimising pressure drop across valve.
We design for safety and productivity.



Advantages of the Krebs Technequip Valves

The Technequip valve's open-body design eliminates the need for a packing gland. The gate, when open, is fully out of the pipeline, minimising pressure drop across the valve. This design also allows the gate to eject material out of the bottom during actuation, ensuring full gate closure, and providing a reliable seal. When used in the wrong application traditional closed-body valves allow material to become trapped, damaging the gate or valve body and causing leakage.

Designed for your safety and productivity

Safety – keep your crew safe

Our valve safety features are standard on all valves to reduce hazards during installation and maintenance.

Productivity – keep your operation running

Field-replaceable wear sleeves and universal frame design reduce downtime, keeping the valve in service by allowing faster maintenance.

Additional design features

- Long-lasting, field-replaceable sleeves constructed of a dense-moulded elastomer, with an integral stiffener ring moulded into the sleeve
- Heavy duty wear sleeves provide bi-directional flow and 100% bubble-tight seal with zero down stream leakage
- Fully lined valves ensure all metal components remain clear of process material
- Heavy-duty construction supports easy spare-parts replacement
- Industry-standard allows for easy drop-in replacement
- Universal frame (yoke) design allows for change of actuation, without removing the valve from service
- Upgraded safety features and premium materials are supplied standard on all valves
- Optimised secondary seal offers ease of maintenance and prolonged valve life
- Multiple flange drill patterns available
- Customisable options are available to meet the service requirements of any application

Technequip™ Knife Gate Slurry Valve (TG)



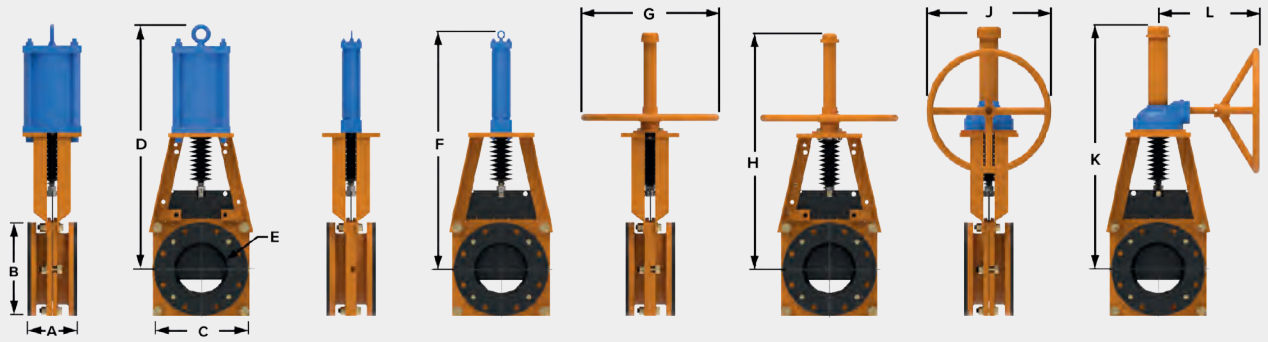
Our Technequip knife gate valve is a true bi-directional slurry knife gate valve with open-body design, and full port flow. Replaceable rubber sleeves are designed to seal and withstand the harsh, abrasive conditions inherent in mining and milling applications.

Specifications

| | |
|--------------------------|---|
| Size range | 2" - 48" (50 mm - 1,200 mm) (54" - 1,350 mm also available) |
| Valve type | Slurry knife gate |
| Body style | Full flanged |
| Temperature range | -60F to 300F (-51c to 149c) |
| Pressure rating | Up to 150 psi |
| Body material | Cast ductile iron, 2 coat epoxy painted |
| Gate material | 17-4PH Stainless Steel, 316L Stainless Steel, 2205 Duplex Stainless Steel, 2507 Duplex Stainless Steel, C276 HASTELLOY® |
| Seat material | Gum rubber, high temp EPDM, Neoprene, Nitrile, Chlorobutyl |
| Duty | Heavy duty abrasive applications |

Pressure and temperature ratings depend on valve size and material selection. Please consult your local representative for more information.

TG Series: Technequip™ Knife Gate Valve



Imperial units (in)

| Valve size | A | B | C | D | E | F | G | H | J | K | L |
|------------|--------|--------|---------|----------|---------|-----------|----|----------|----|----------|--------|
| 2 | 6 1/2 | 6 | 6 3/8 | 18 7/16 | 13/4 | 18 | 8 | 16 1/16 | - | - | - |
| 3 | 6 3/4 | 7 1/2 | 9 | 21 1/2 | 2 13/16 | 19 5/8 | 12 | 22 | - | - | - |
| 4 | 6 3/4 | 9 | 10 | 24 5/16 | 3 7/8 | 22 7/16 | 12 | 23 11/16 | 18 | 25 3/4 | 14 1/2 |
| 6 | 6 7/8 | 11 | 12 3/4 | 30 3/8 | 5 13/16 | 28 3/16 | 16 | 29 7/8 | 18 | 31 1/8 | 14 1/2 |
| 8 | 7 1/8 | 13 1/2 | 15 | 35 1/8 | 7 3/4 | 33 7/16 | 20 | 33 7/8 | 18 | 34 7/16 | 14 1/2 |
| 10 | 8 3/4 | 16 | 16 3/4 | 40 1/2 | 9 13/16 | 40 1/8 | 20 | 39 5/8 | 18 | 40 1/6 | 14 1/2 |
| 12 | 10 | 19 | 20 | 49 1/8 | 11 1/2 | 47 1/16 | - | - | 24 | 49 1/2 | 16 5/8 |
| 14 | 10 | 21 | 22 5/16 | 53 3/8 | 13 1/4 | 51 3/4 | - | - | 24 | 53 1/4 | 16 5/8 |
| 16 | 10 7/8 | 23 1/2 | 25 | 59 7/8 | 14 3/4 | 57 7/8 | - | - | 24 | 57 | 16 5/8 |
| 18 | 12 1/8 | 25 | 26 1/2 | 67 7/8 | 16 3/4 | 66 | - | - | 24 | 66 1/2 | 19 3/8 |
| 20 | 14 1/8 | 27 1/2 | 28 3/8 | 73 3/8 | 18 1/2 | 74 1/16 | - | - | 24 | 72 1/2 | 19 3/8 |
| 24 | 14 5/8 | 32 | 33 3/4 | 87 15/16 | 23 | 86 11/16 | - | - | 30 | 85 11/16 | 21 |
| 26 | 14 3/8 | 34 1/4 | 37 | 92 5/16 | 25 | 91 13/16 | - | - | - | - | - |
| 30 | 15 1/2 | 38 1/4 | 41 1/2 | - | 29 | 104 11/16 | - | - | - | - | - |
| 32 | 15 1/2 | 41 3/4 | 43 7/8 | - | 29 | 113 1/8 | - | - | - | - | - |
| 36 | 18 3/8 | 46 | 48 1/2 | - | 35 | 120 9/16 | - | - | - | - | - |
| 42 | 21 1/8 | 53 | 56 3/4 | - | 41 1/2 | 147 1/4 | - | - | - | - | - |
| 48 | 21 1/8 | 59 1/2 | 62 1/2 | - | 46 7/8 | 161 3/16 | - | - | - | - | - |

- Denotes not available in size or actuator.

Metric units (mm)

| Valve size | A | B | C | D | E | F | G | H | J | K | L |
|------------|-----|------|------|------|------|------|-----|------|-----|------|-----|
| 50 | 165 | 152 | 162 | 468 | 45 | 457 | 203 | 408 | - | - | - |
| 80 | 172 | 191 | 229 | 546 | 71 | 499 | 305 | 559 | - | - | - |
| 100 | 172 | 229 | 254 | 618 | 98 | 570 | 305 | 602 | 457 | 654 | 368 |
| 150 | 175 | 279 | 324 | 772 | 148 | 732 | 406 | 759 | 457 | 791 | 368 |
| 200 | 181 | 343 | 381 | 892 | 197 | 849 | 508 | 860 | 457 | 875 | 368 |
| 250 | 222 | 406 | 426 | 1029 | 250 | 1019 | 508 | 1006 | 457 | 1020 | 368 |
| 300 | 254 | 483 | 508 | 1247 | 292 | 1195 | - | - | 610 | 1257 | 422 |
| 350 | 254 | 533 | 567 | 1356 | 337 | 1314 | - | - | 610 | 1353 | 422 |
| 400 | 276 | 597 | 635 | 1522 | 375 | 1469 | - | - | 610 | 1448 | 422 |
| 450 | 308 | 635 | 673 | 1624 | 425 | 1676 | - | - | 610 | 1689 | 492 |
| 500 | 359 | 699 | 721 | 1863 | 470 | 1881 | - | - | 610 | 1842 | 492 |
| 600 | 371 | 813 | 857 | 2234 | 584 | 2202 | - | - | 762 | 2176 | 533 |
| 650 | 365 | 870 | 940 | 2345 | 635 | 2332 | - | - | - | - | - |
| 750 | 394 | 984 | 1054 | - | 737 | 2659 | - | - | - | - | - |
| 800 | 394 | 1060 | 1114 | - | 737 | 2873 | - | - | - | - | - |
| 900 | 467 | 1168 | 1232 | - | 889 | 3062 | - | - | - | - | - |
| 1050 | 537 | 1346 | 1441 | - | 1054 | 3740 | - | - | - | - | - |
| 1200 | 537 | 1511 | 1588 | - | 1191 | 4094 | - | - | - | - | - |

- Denotes not available in size or actuator.

Technequip™ Wafer Style Knife Gate Slurry Valve (TGW)



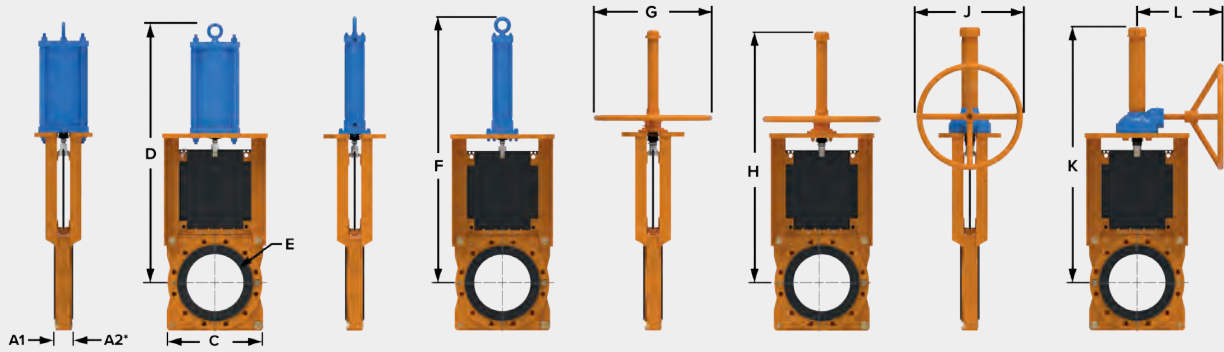
Our wafer knife gate valve is a space-saving option for medium to heavy duty applications. We designed it in response to the industry's need for valves that are able to isolate flow in demanding conditions requiring smaller face-to-face flange dimensions.

Specifications

| | |
|--------------------------|---|
| Size range | 2" - 24" (50 mm - 600 mm) |
| Valve type | Slurry knife gate |
| Body style | Narrow body |
| Temperature range | -60F to 300F (-51c to 149c) |
| Pressure rating | Up to 150 psi |
| Body material | Cast ductile iron, 2 coat epoxy painted |
| Gate material | 17-4PH Stainless Steel, 316L Stainless Steel, 2205 Duplex Stainless Steel, 2507 Duplex Stainless Steel, C276 HASTELLOY® |
| Seat material | Gum rubber, high temp EPDM, Neoprene, Nitrile, Chlorobutyl |
| Duty | Medium to heavy duty abrasive applications |

Pressure and temperature ratings depend on valve size and material selection. Please consult your local representative for more information.

TGW Series: Technequip™ Wafer Knife Gate Valve



Imperial units (in)

| Valve size | A1 | A2 | C | D | E | F | G | H | J | K | L |
|------------|--------|-------|--------|----------|---------|---------|----|---------|----|---------|--------|
| 2 | 2 5/16 | 2 1/8 | 7 3/4 | 20 1/8 | 1 3/4 | 19 1/4 | 8 | 19 | - | - | - |
| 3 | 2 1/2 | 2 1/4 | 9 1/8 | 23 3/8 | 2 7/8 | 22 3/8 | 12 | 22 | 12 | 22 3/16 | 12 3/4 |
| 4 | 2 1/2 | 2 1/4 | 10 3/4 | 26 1/16 | 3 7/8 | 25 3/8 | 12 | 24 9/16 | 12 | 25 9/16 | 12 3/4 |
| 6 | 2 3/4 | 2 1/2 | 13 3/8 | 32 1/4 | 5 7/8 | 31 1/4 | 16 | 31 | 18 | 31 7/8 | 14 5/8 |
| 8 | 3 1/4 | 3 | 15 5/8 | 37 13/16 | 7 13/16 | 37 | 20 | 36 1/16 | 18 | 37 1/4 | 14 5/8 |
| 10 | 3 5/16 | 3 | 17 3/4 | 43 9/16 | 9 3/4 | 45 | 20 | 42 1/16 | 18 | 44 | 14 5/8 |
| 12 | 3 9/16 | 3 1/4 | 21 | 51 1/4 | 11 3/4 | 52 1/2 | - | - | 24 | 52 | 16 3/4 |
| 14 | 3 9/16 | 3 1/4 | 22 7/8 | 55 | 13 | 55 5/8 | - | - | 24 | 55 1/4 | 16 3/4 |
| 16 | 4 1/16 | 3 3/4 | 25 | 61 1/2 | 15 | 61 1/2 | - | - | 24 | 61 | 16 3/4 |
| 18 | 4 1/8 | 3 3/4 | 27 | 68 11/16 | 17 | 69 | - | - | 24 | 68 3/4 | 19 3/8 |
| 20 | 5 3/16 | 4 3/4 | 28 7/8 | 76 | 19 | 76 | - | - | 24 | 75 7/8 | 19 3/8 |
| 24 | 5 1/4 | 4 3/4 | 33 3/8 | 86 9/16 | 23 1/8 | 87 3/16 | - | - | 24 | 87 1/8 | 19 3/8 |

- Denotes not available in size or actuator.

Metric units (mm)

| Valve size | A1 | A2 | C | D | E | F | G | H | J | K | L |
|------------|-----|-----|-----|------|-----|------|-----|------|-----|------|-----|
| 50 | 59 | 54 | 197 | 511 | 44 | 489 | 203 | 483 | - | - | - |
| 80 | 64 | 57 | 232 | 593 | 73 | 568 | 305 | 559 | 304 | 564 | 324 |
| 100 | 64 | 57 | 273 | 661 | 98 | 645 | 305 | 620 | 304 | 649 | 324 |
| 150 | 70 | 64 | 340 | 818 | 149 | 940 | 406 | 777 | 457 | 810 | 371 |
| 200 | 83 | 76 | 397 | 960 | 198 | 1143 | 508 | 916 | 457 | 946 | 371 |
| 250 | 84 | 76 | 451 | 1106 | 248 | 1334 | 508 | 1068 | 457 | 1118 | 371 |
| 300 | 90 | 83 | 533 | 1302 | 299 | 1413 | - | - | 610 | 1321 | 425 |
| 350 | 90 | 83 | 581 | 1397 | 330 | 1562 | - | - | 610 | 1403 | 425 |
| 400 | 103 | 95 | 635 | 1562 | 381 | 1753 | - | - | 610 | 1549 | 425 |
| 450 | 105 | 95 | 686 | 1745 | 432 | 1753 | - | - | 610 | 1746 | 492 |
| 500 | 132 | 121 | 733 | 1930 | 483 | 1930 | - | - | 610 | 1927 | 492 |
| 600 | 133 | 121 | 848 | 2199 | 587 | 2215 | - | - | 610 | 2213 | 492 |

- Denotes not available in size or actuator.

Technequip™ High-Pressure Knife Gate Slurry Valve (TGH)



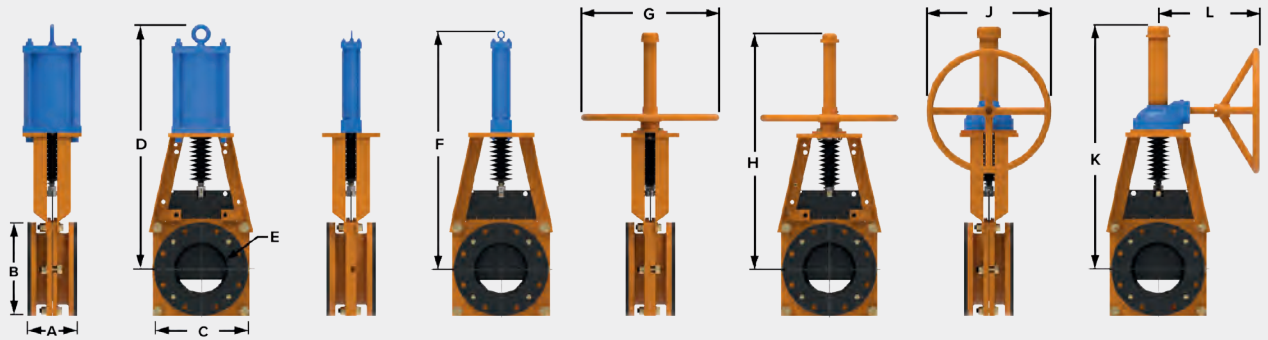
Our Technequip High-Pressure Knife Gate Valve is specifically designed for demanding applications. When higher pressures up to 300 psi are required. All our high pressure valves are constructed with an integrated splash guard for safety.

Specifications

| | |
|--------------------------|---|
| Size range | 2" - 36" (50 mm - 900 mm) |
| Valve type | Slurry knife gate |
| Body style | Full flanged |
| Temperature range | -60F to 300F (-51c to 149c) |
| Pressure rating | Up to 300 psi |
| Body material | Cast ductile iron, 2 coat epoxy painted |
| Gate material | 17-4PH Stainless Steel, 316L Stainless Steel, 2205 Duplex Stainless Steel, 2507 Duplex Stainless Steel, C276 HASTELLOY® |
| Seat material | Gum rubber, high temp EPDM, Neoprene, Nitrile, Chlorobutyl |
| Duty | Heavy duty abrasive applications for high pressures |

Pressure and temperature ratings depend on valve size and material selection. Please consult your local representative for more information.

TGH Series: Technequip™ High Pressure Knife Gate Valve



Imperial units (in)

| Valve size | A | B | C | D | E | F | G | H | J | K | L |
|------------|---------|--------|--------|--------|---------|---------|----|--------|----|--------|--------|
| 2 | * | * | * | * | * | * | * | * | - | - | - |
| 3 | 6 7/8 | 8 1/4 | 8 1/4 | 23 1/8 | 2 13/16 | 23 3/4 | 16 | 23 1/2 | 12 | 24 1/8 | 14 1/2 |
| 4 | 6 7/8 | 10 | 10 | 27 | 3 7/8 | 28 1/2 | 16 | 26 3/8 | 12 | 28 1/4 | 14 1/2 |
| 6 | 7 1/4 | 12 1/2 | 12 1/2 | 33 3/4 | 5 7/8 | 34 3/4 | 20 | 32 | 12 | 34 1/2 | 14 1/2 |
| 8 | 7 1/4 | 15 | 15 | 40 | 7 7/8 | 44 | 20 | 40 1/2 | 18 | 41 1/2 | 14 1/2 |
| 10 | 8 15/16 | 17 1/2 | 17 1/2 | 47 5/8 | 9 13/16 | 51 1/4 | - | - | 18 | 48 | 14 1/2 |
| 12 | 9 9/16 | 20 1/2 | 21 1/2 | 53 7/8 | 11 1/2 | 56 3/8 | - | - | 24 | 53 1/4 | 14 1/2 |
| 14 | 10 | 23 | 24 1/2 | 60 3/8 | 13 1/4 | 60 3/4 | - | - | 24 | 57 1/2 | 14 1/2 |
| 16 | 11 1/4 | 25 1/2 | 26 5/8 | 63 1/2 | 14 3/4 | 64 | - | - | 24 | 63 1/8 | 19 3/8 |
| 18 | 12 9/16 | 28 | 30 | 68 1/4 | 16 3/4 | 69 1/8 | - | - | 30 | 66 1/2 | 19 3/8 |
| 20 | 14 3/8 | 30 1/2 | 32 1/4 | 74 7/8 | 18 1/2 | 76 1/2 | - | - | 30 | 74 | 19 3/8 |
| 24 | 14 1/2 | 36 | 38 | - | 23 | 91 1/2 | - | - | 30 | 89 1/2 | 19 3/8 |
| 26 | * | * | * | - | * | * | - | - | - | - | - |
| 30 | 16 1/4 | 43 | 47 | - | 29 | 113 7/8 | - | - | - | - | - |
| 36 | 18 1/2 | 50 | 54 1/2 | - | 35 | 134 5/8 | - | - | - | - | - |

* Consult with your FLSmidth representative.

- Denotes not available in size or actuator.

Metric units (mm)

| Valve size | A | B | C | D | E | F | G | H | J | K | L |
|------------|-----|------|------|------|-----|------|-----|------|-----|------|-----|
| 50 | * | * | * | * | * | * | * | * | - | - | - |
| 80 | 175 | 210 | 210 | 587 | 71 | 603 | 406 | 597 | 305 | 613 | 368 |
| 100 | 175 | 254 | 254 | 686 | 98 | 724 | 406 | 670 | 305 | 718 | 368 |
| 150 | 184 | 318 | 318 | 857 | 149 | 883 | 508 | 813 | 305 | 876 | 368 |
| 200 | 184 | 381 | 381 | 1016 | 200 | 1118 | 508 | 1029 | 457 | 1054 | 368 |
| 250 | 227 | 445 | 445 | 1210 | 249 | 1302 | - | - | 457 | 1219 | 368 |
| 300 | 243 | 521 | 546 | 1368 | 292 | 1432 | - | - | 610 | 1353 | 368 |
| 350 | 254 | 584 | 622 | 1534 | 337 | 1543 | - | - | 610 | 1461 | 368 |
| 400 | 286 | 648 | 676 | 1613 | 375 | 1626 | - | - | 610 | 1603 | 492 |
| 450 | 319 | 711 | 762 | 1734 | 425 | 1756 | - | - | 762 | 1689 | 492 |
| 500 | 365 | 775 | 819 | 1902 | 470 | 1943 | - | - | 762 | 1880 | 492 |
| 600 | 368 | 914 | 965 | - | 584 | 2324 | - | - | 762 | 2273 | 492 |
| 650 | * | * | * | - | * | * | - | - | - | - | - |
| 750 | 413 | 1092 | 1194 | - | 737 | 2892 | - | - | - | - | - |
| 900 | 470 | 1270 | 1384 | - | 889 | 3419 | - | - | - | - | - |

* Consult with your FLSmidth representative.

- Denotes not available in size or actuator.

Technequip™ Extra-High Pressure Knife Gate Slurry Valve (TGHP)



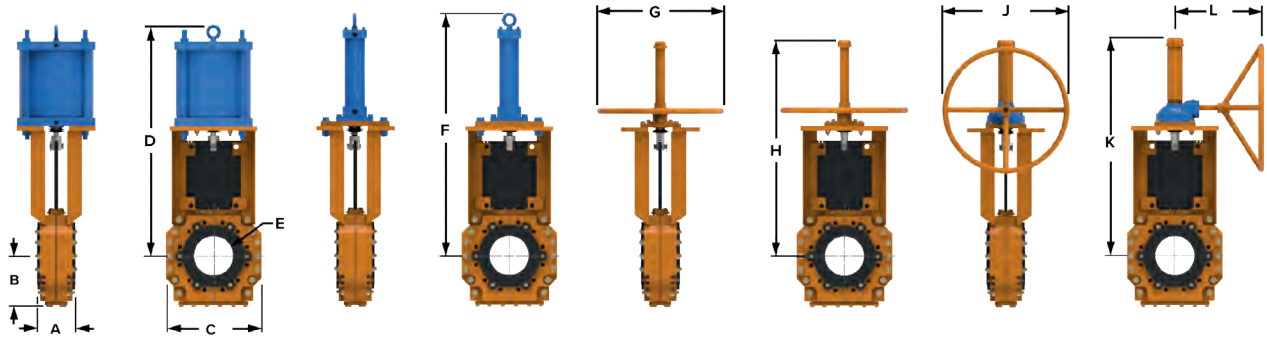
Our Extra-High Pressure Knife Gate Valves are designed for the most demanding of high pressure slurry applications. The heavy duty, extra-high-pressure valve is bi-directional with a full port design. All our high pressure valves are constructed with an integrated splash guard for safety.

Specifications

| | |
|--------------------------|---|
| Size range | 2" - 36" (50 mm - 900 mm) |
| Valve type | Slurry knife gate |
| Body style | Full flanged |
| Temperature range | -60F to 300F (-51c to 149c) |
| Pressure rating | Up to 740 psi |
| Body material | Fabricated Steel / 2 coat epoxy painted |
| Gate material | 17-4PH Stainless Steel, 316L Stainless Steel, 2205 Duplex Stainless Steel, 2507 Duplex Stainless Steel, C276 HASTELLOY® |
| Seat material | Gum rubber, high temp EPDM, Neoprene, Nitrile, Chlorobutyl |
| Duty | Heavy duty abrasive applications for extra high pressures |

Pressure and temperature ratings depend on valve size and material selection. Please consult your local representative for more information.

TGHP Series: Technequip™ Extra High Pressure Knife Gate Valve



Imperial units (in)

| Valve size | A | B | C | D | E | F | G | H | J | K | L |
|------------|---------|---------|--------|----------|---------|---------|----|---------|----|----------|----------|
| 2 | * | * | * | * | * | * | * | * | - | - | - |
| 3 | 6 15/16 | 6 1/8 | 10 3/4 | 25 11/16 | 2 13/16 | 26 1/4 | 16 | 24 9/16 | 12 | 24 1/2 | 14 1/2 |
| 4 | 6 15/16 | 7 1/8 | 12 1/2 | 28 7/16 | 3 3/4 | 28 1/8 | 16 | 26 7/8 | 12 | 27 | 14 1/2 |
| 6 | 7 1/4 | 8 1/4 | 15 | 37 5/16 | 5 13/16 | 38 1/8 | 20 | 35 | 18 | 35 5/8 | 14 1/2 |
| 8 | 7 1/4 | 9 5/8 | 18 | 43 1/4 | 7 3/4 | 44 | 20 | 40 1/2 | 24 | 40 13/16 | 16 11/16 |
| 10 | 8 15/16 | 11 9/16 | 20 1/2 | 51 3/4 | 9 3/4 | 52 1/2 | - | - | 24 | 49 5/8 | 19 3/8 |
| 12 | 10 3/16 | 13 | 24 1/4 | 58 1/2 | 11 3/4 | 59 1/8 | - | - | 24 | 57 1/8 | 19 3/8 |
| 14 | 10 1/4 | 14 7/8 | 27 1/2 | 64 7/8 | 13 | 66 3/8 | - | - | 24 | 64 | 19 3/8 |
| 16 | 11 | 15 3/4 | 30 | 75 1/2 | 15 | 77 1/2 | - | - | 24 | 70 7/8 | 22 |
| 18 | 12 5/8 | * | * | - | * | * | - | - | * | * | * |
| 20 | 14 1/2 | * | * | - | * | * | - | - | * | * | * |
| 24 | 14 1/2 | * | * | - | * | * | - | - | * | * | * |
| 26 | 14 1/2 | * | * | - | * | * | - | - | - | - | - |
| 30 | 16 1/4 | 26 7/8 | 53 1/2 | - | 29 | 125 3/8 | - | - | - | - | - |
| 36 | 18 1/2 | 31 | 62 | - | 35 | 149 1/2 | - | - | - | - | - |

* Consult with your FLSmidth representative.

- Denotes not available in size or actuator.

Metric units (mm)

| Valve size | A | B | C | D | E | F | G | H | J | K | L |
|------------|-----|-----|------|------|-----|------|-----|------|-----|------|-----|
| 50 | * | * | * | * | * | * | * | * | - | - | - |
| 80 | 176 | 156 | 273 | 652 | 71 | 667 | 406 | 624 | 305 | 622 | 368 |
| 100 | 176 | 181 | 318 | 722 | 95 | 714 | 406 | 683 | 305 | 686 | 368 |
| 150 | 184 | 210 | 381 | 948 | 148 | 968 | 508 | 889 | 457 | 905 | 368 |
| 200 | 184 | 244 | 457 | 1099 | 197 | 1118 | 508 | 1029 | 610 | 1037 | 424 |
| 250 | 227 | 294 | 521 | 1314 | 248 | 1334 | - | - | 610 | 1260 | 492 |
| 300 | 259 | 330 | 616 | 1485 | 298 | 1502 | - | - | 610 | 1451 | 492 |
| 350 | 260 | 378 | 699 | 1648 | 330 | 1686 | - | - | 610 | 1626 | 492 |
| 400 | 279 | 400 | 762 | 1918 | 381 | 1968 | - | - | 610 | 1800 | 559 |
| 450 | 321 | * | * | - | * | * | - | - | * | * | * |
| 500 | 368 | * | * | - | * | * | - | - | * | * | * |
| 600 | 368 | * | * | - | * | * | - | - | * | * | * |
| 650 | 368 | * | * | - | * | * | - | - | * | * | - |
| 750 | 413 | 683 | 1359 | - | 737 | 3185 | - | - | - | - | - |
| 900 | 470 | 787 | 1575 | - | 889 | 3797 | - | - | - | - | - |

* Consult with your FLSmidth representative.

- Denotes not available in size or actuator.

Actuation options



Pneumatic (AC)

Our standard pneumatic actuator is a double acting cylinder supplied with many upgraded features for superior wear and reliability. This includes painted steel end caps, chrome-plated piston rod, machined 17-4PH SS gate clevis and a housing constructed of composite FRP material. Every pneumatic actuator is supplied with an internal magnetic ring attached to the piston. This allows the cylinder to be easily adapted with externally mounted reed limit switches.

We can supply over sized pneumatic actuators when low pressure air supply is a concern. Our AC60 actuators are suitable for a minimum of 60psi (4.1 bar) air.

For mechanical fail safety, we have available our single-acting, spring-return pneumatic actuators built for either “fail open” or “fail close” configurations as required.



Hydraulic (HYD)

Our standard hydraulic actuator is a double acting cylinder available in either standard or high pressure configurations. Each cylinder is supplied with painted steel end caps, chrome-plated piston rod, bronze gland rod, and a machined 17-4PH SS gate clevis.

* Optional hydraulic power units, portable power units, or hydraulic hand pumps can be supplied.



Bevel gear (BG)

All bevel gear operators are manufactured with 3:1 or 4:1 ratios, dependent on size. Each valve is supplied with 304 SS stem, protected by a painted steel stem cover and dust boots.



Electric (ELEC)

All Technequip valves can be fitted with electric actuators of many different makes and models to meet numerous voltage requirements. Each valve is supplied with 304 SS stem, protected by a painted steel stem cover and dust boots.



Hand Wheel (HW)

Our Technequip valves are available with hand wheel operators in sizes 2" (50mm) to 10" (250mm). For sizes larger than 10" (250mm), the rim pull force to operate a hand wheel becomes too large and a bevel gear operator is recommended. Each valve is supplied with 304 SS stem, protected by a painted steel stem cover and dust boots.

Safety options

Splash guard (plate)

Flat plate with gasket mounted to the bottom of the valve with two NPT fittings to either pipe away slurry or a water pipe added for flushing.

Splash guard (pipe)

This guard consists of a machined pipe with a gasket, mounted to the bottom of the valve, to collect and drain discharge.

Gate guards

Expanded metal gate guards prevent access to the gate, while allowing for washout of the gate area.

Air lockout

A lockable air valve is installed between the air supply and actuator, preventing valve actuation. One air-lockout is required with solenoid option. Two air-lockouts are required without solenoid option.

Gate maintenance pin (manual lockout)

Tabs allow a lock-pin to be placed through the gate, preventing gate movement.

Industries

- Mining and mineral processing
- Mineral Sands
- Oil Sands
- Cement
- Aggregates
- Coal
- Phosphate
- Ash
- Alumina
- Power (FGD)
- Pulp and Paper
- Chemical
- Automotive
- Manufacturing



Quality as a standard

- Manual or automated actuators
- Two-coat epoxy-painted for corrosion resistance
- High-strength 17-4 PH Stainless Steel gate clevis
- Dust boots supplied as standard to protect stem and actuators
- Fluorocarbon gate coating as standard to reduce friction
- No packing gland necessary
- Full port, bi-directional design
- Metric or imperial flange patterns
- Retainer flanges supplied as standard on TG, TGH, TGHP models
- Long-wearing, field-replaceable sleeves create sealing surface
- Machined gate guides to ensure parallel path
- Upgrade zinc-plated hardware for corrosion resistance
- Lubrication ports easily accessible for maintenance
- Flush ports in valve housing help keep gate area free of debris
- Optional factory-installed instrumentation and controls available

Quality – keep the valve that works for you

Our Technequip valves are designed with the operator in mind, using premium quality materials, providing reliable performance.

Inventory – keep your costs low

Interchangeable component design reduces the amount of inventory you need to keep on hand.

For more locations see global contact list below or visit us at www.flsmidth.com



SINCE 1979

800-299-3001
Sales@Mertec.net

Mertec
www.mertec.net

SERVING
California
Nevada
Wyoming
Idaho ♦ Utah

Leaders In Slurry & Bulk Material Handling, Process Instrument & Controls